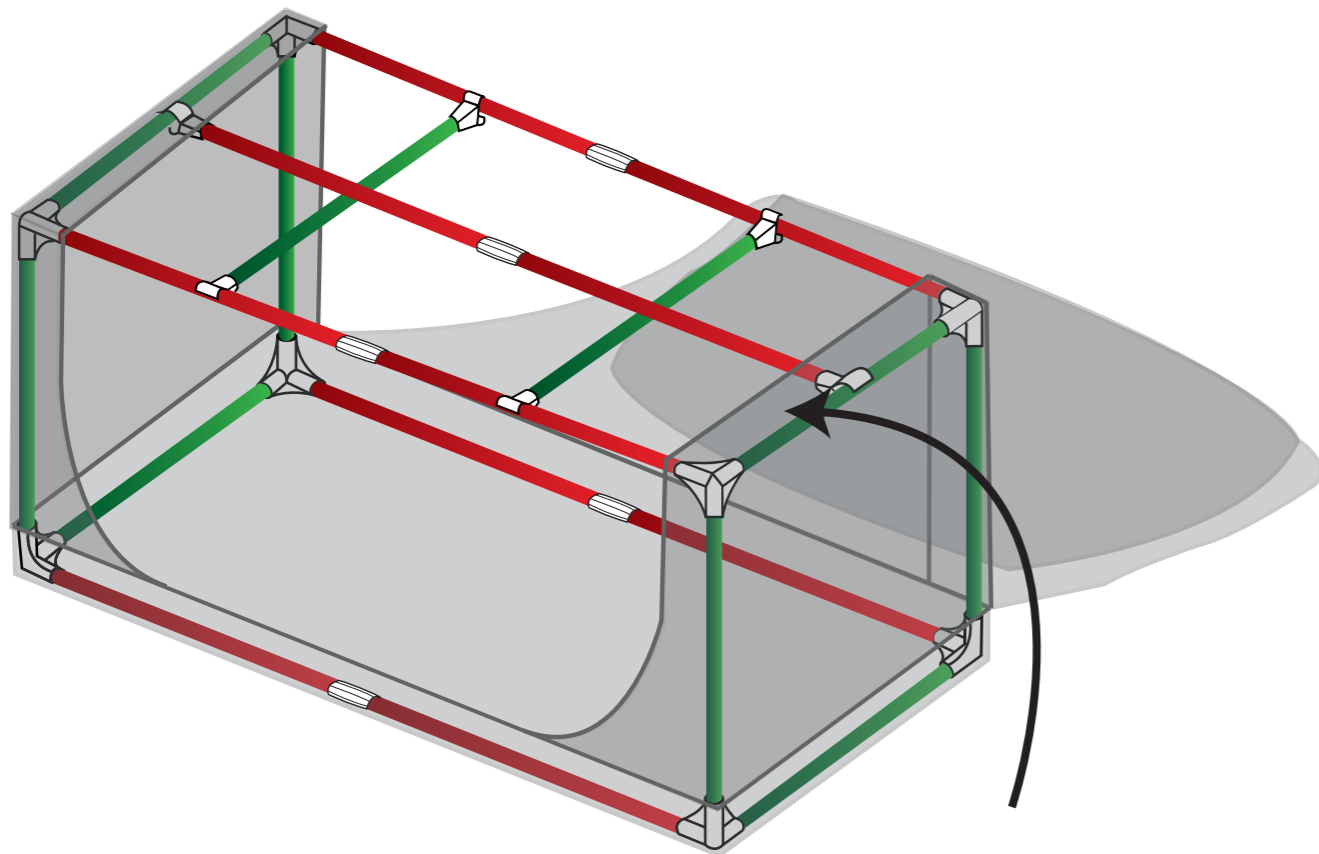


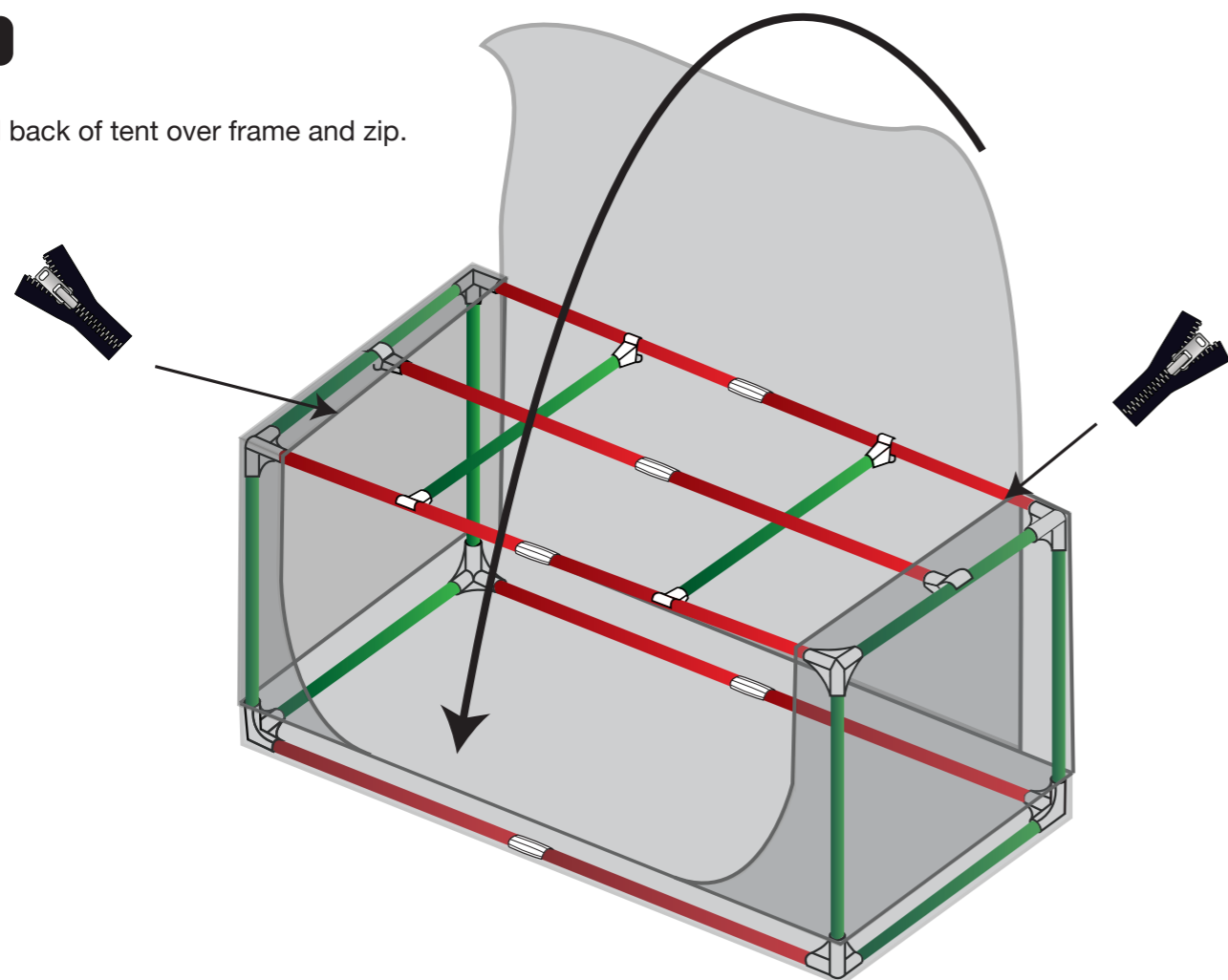
Step 5

Fit right side of tent over frame as shown.



Step 6

Pull back of tent over frame and zip.

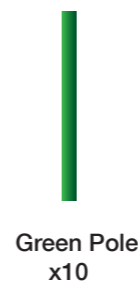


EZCL-128-TNT-1

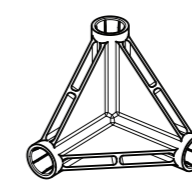
Parts List



Red Pole
x10



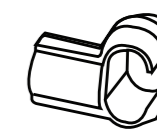
Green Pole
x10



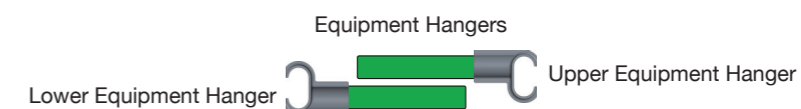
3-Way
Corner
x8



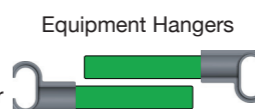
Straight
Connector
x5



Equipment
Hanger Ends
x6



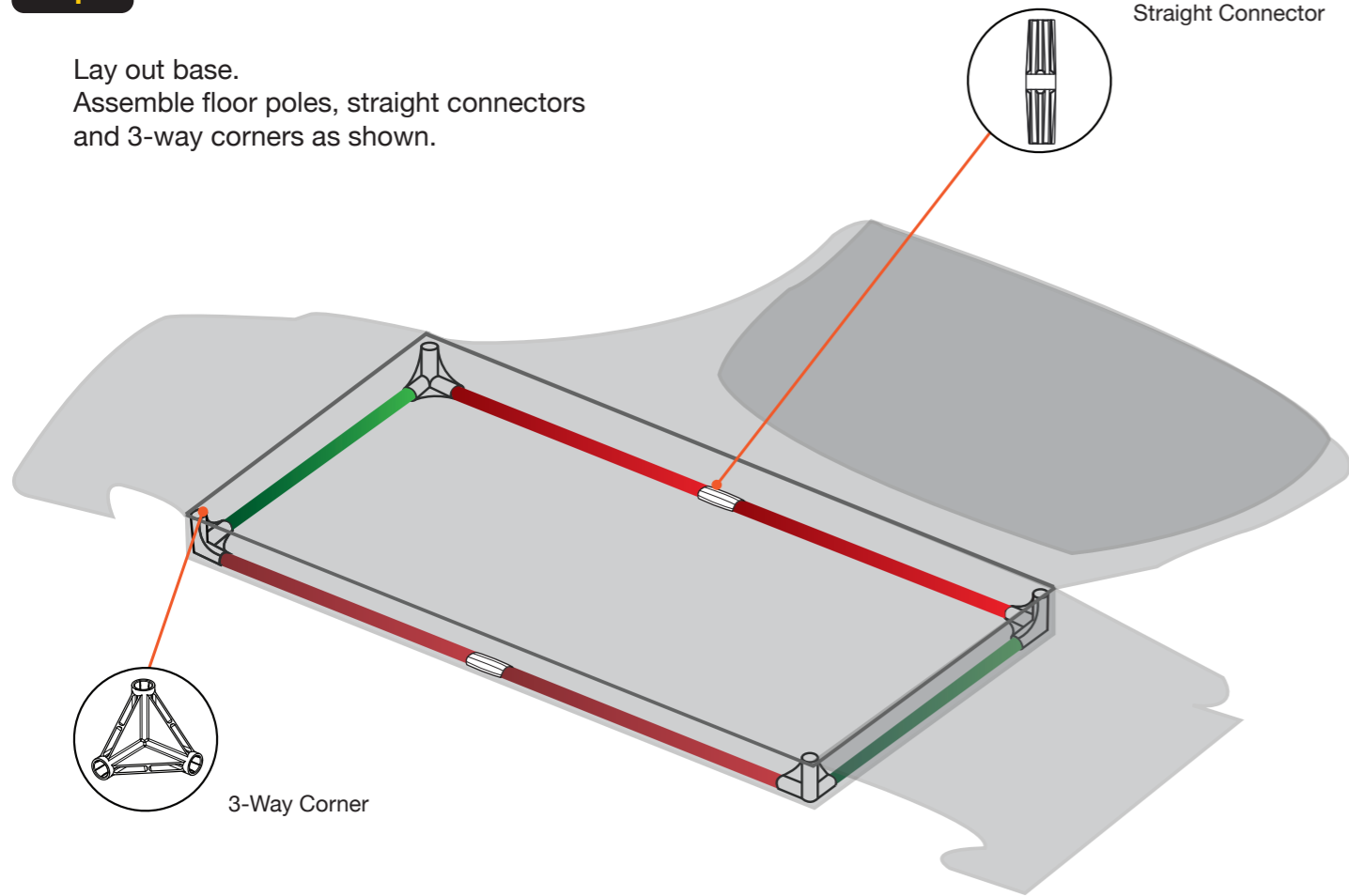
Lower Equipment Hanger



Upper Equipment Hanger

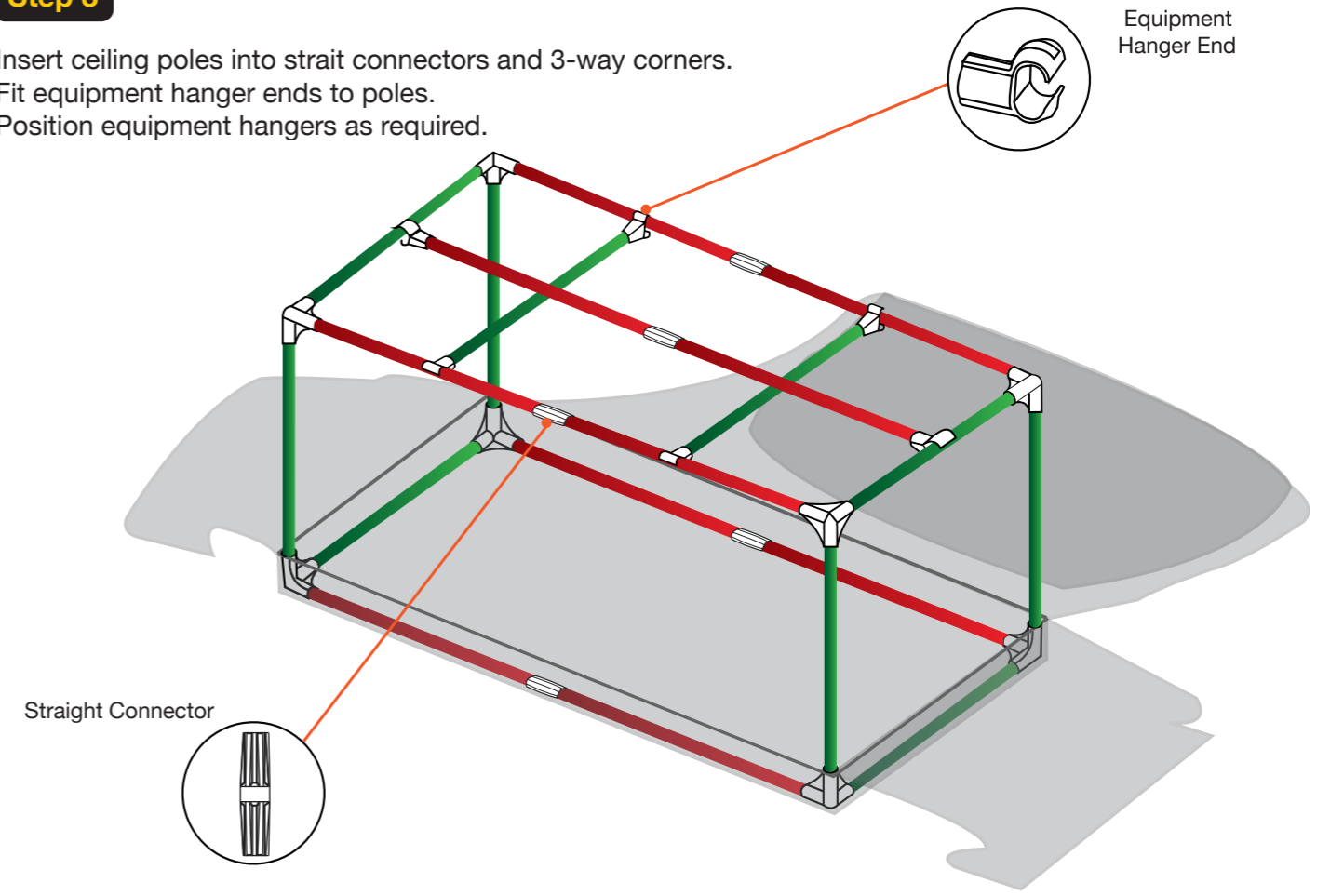
Step 1

Lay out base.
Assemble floor poles, straight connectors
and 3-way corners as shown.



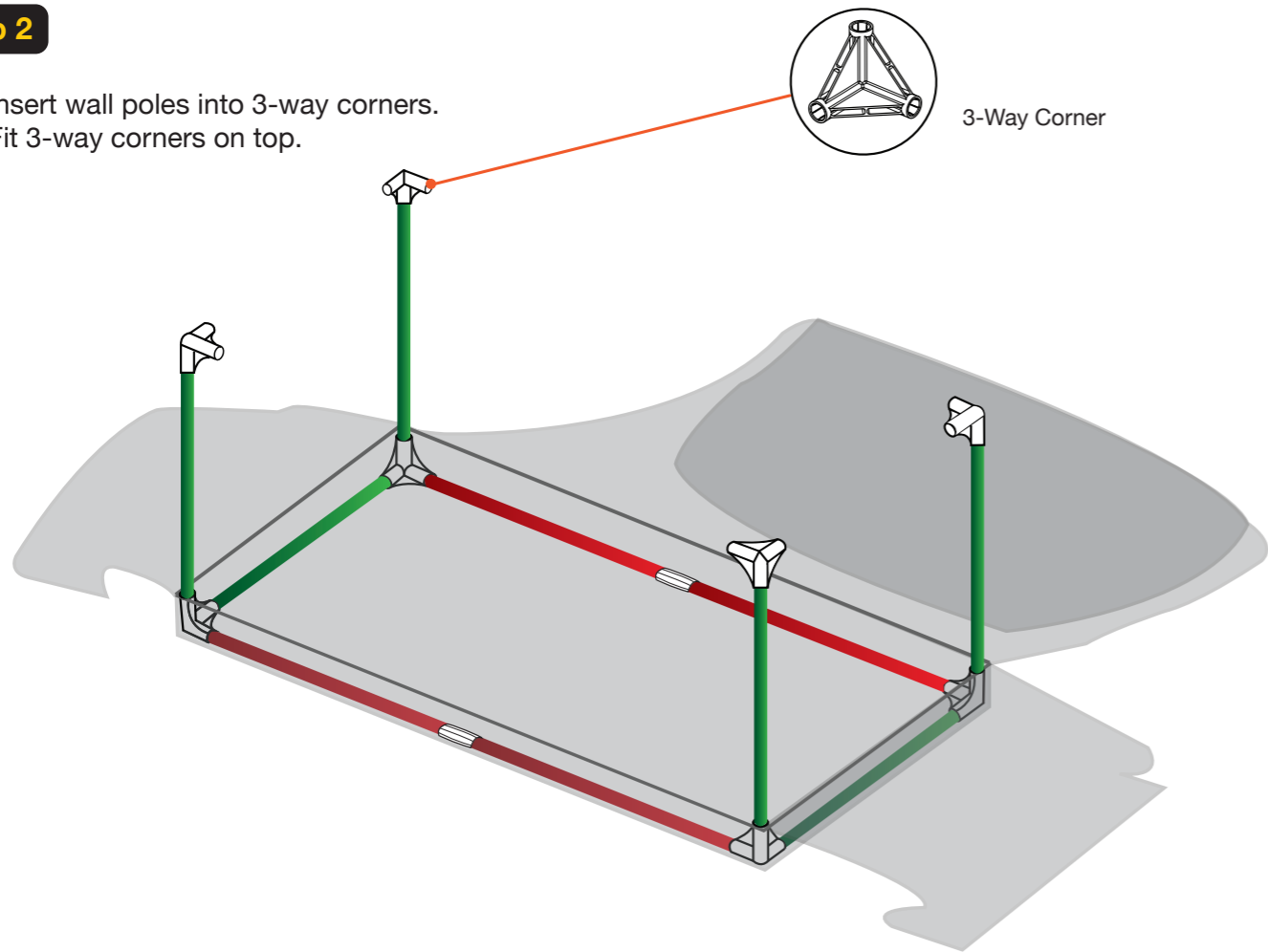
Step 3

Insert ceiling poles into strait connectors and 3-way corners.
Fit equipment hanger ends to poles.
Position equipment hangers as required.



Step 2

Insert wall poles into 3-way corners.
Fit 3-way corners on top.



Step 4

Fit left side of tent over frame as shown.

