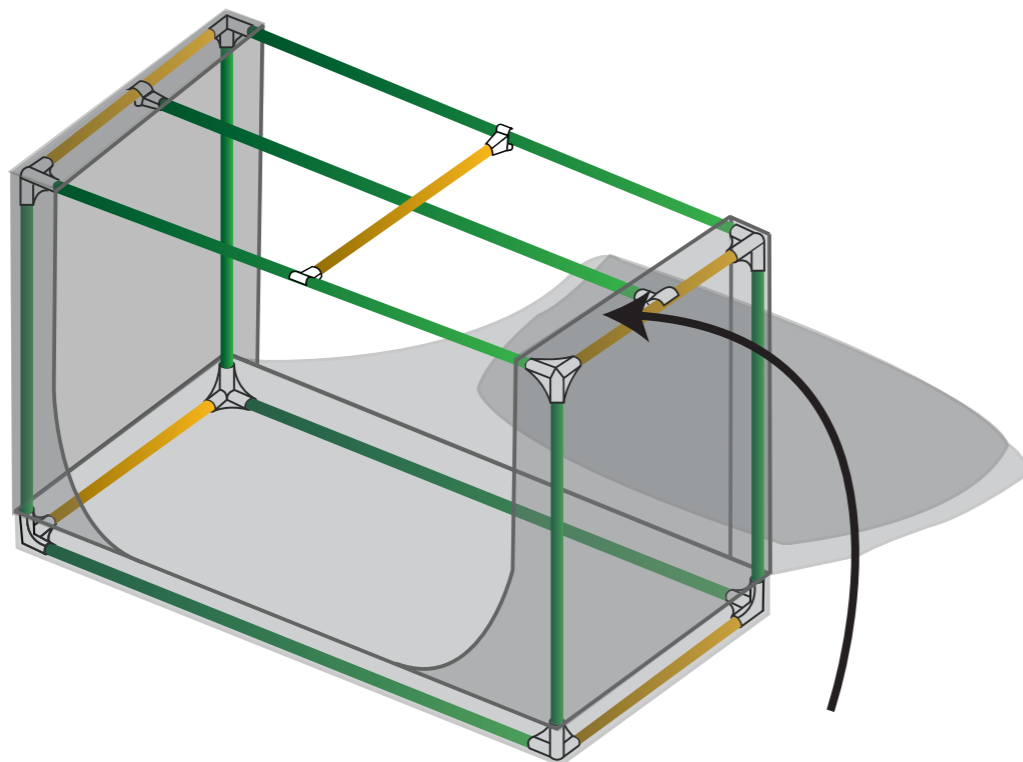


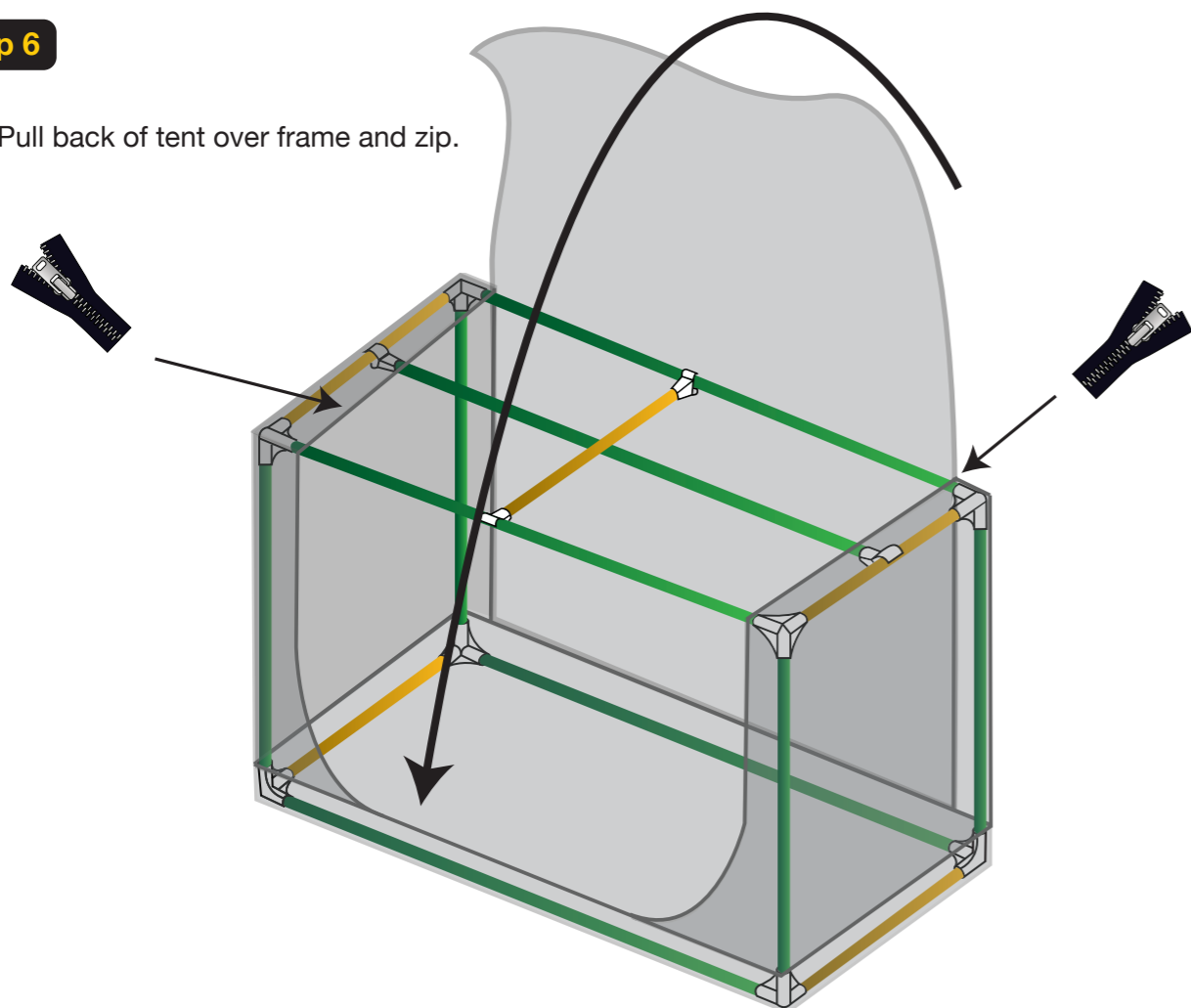
**Step 5**

Fit right side of tent over frame as shown.



**Step 6**

Pull back of tent over frame and zip.



**EZCL-16-TNT-1**

**Parts List**

Yellow Pole  
x5

Green Pole  
x9

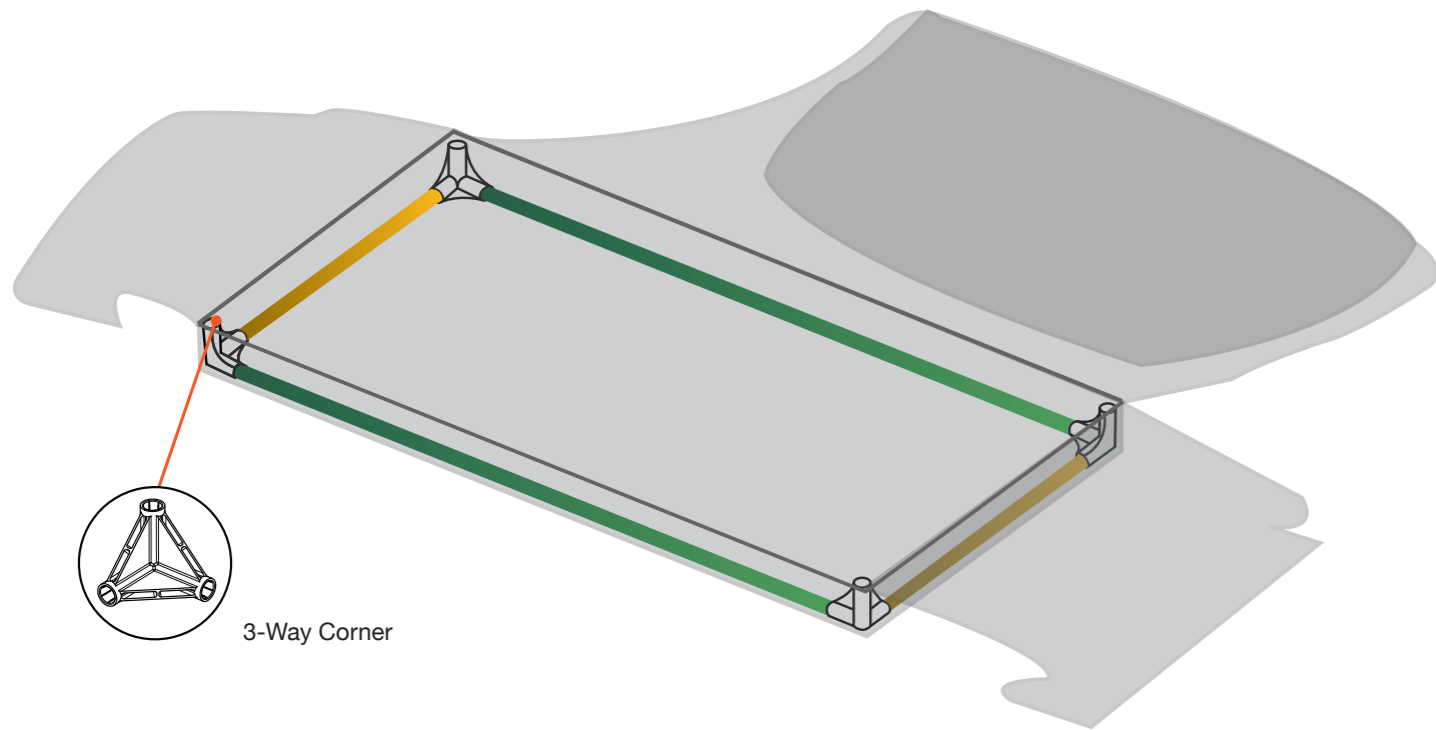
3-Way  
Corner  
x8

Equipment  
Hanger Ends  
x4

Equipment Hangers  
Lower Equipment Hanger Upper Equipment Hanger

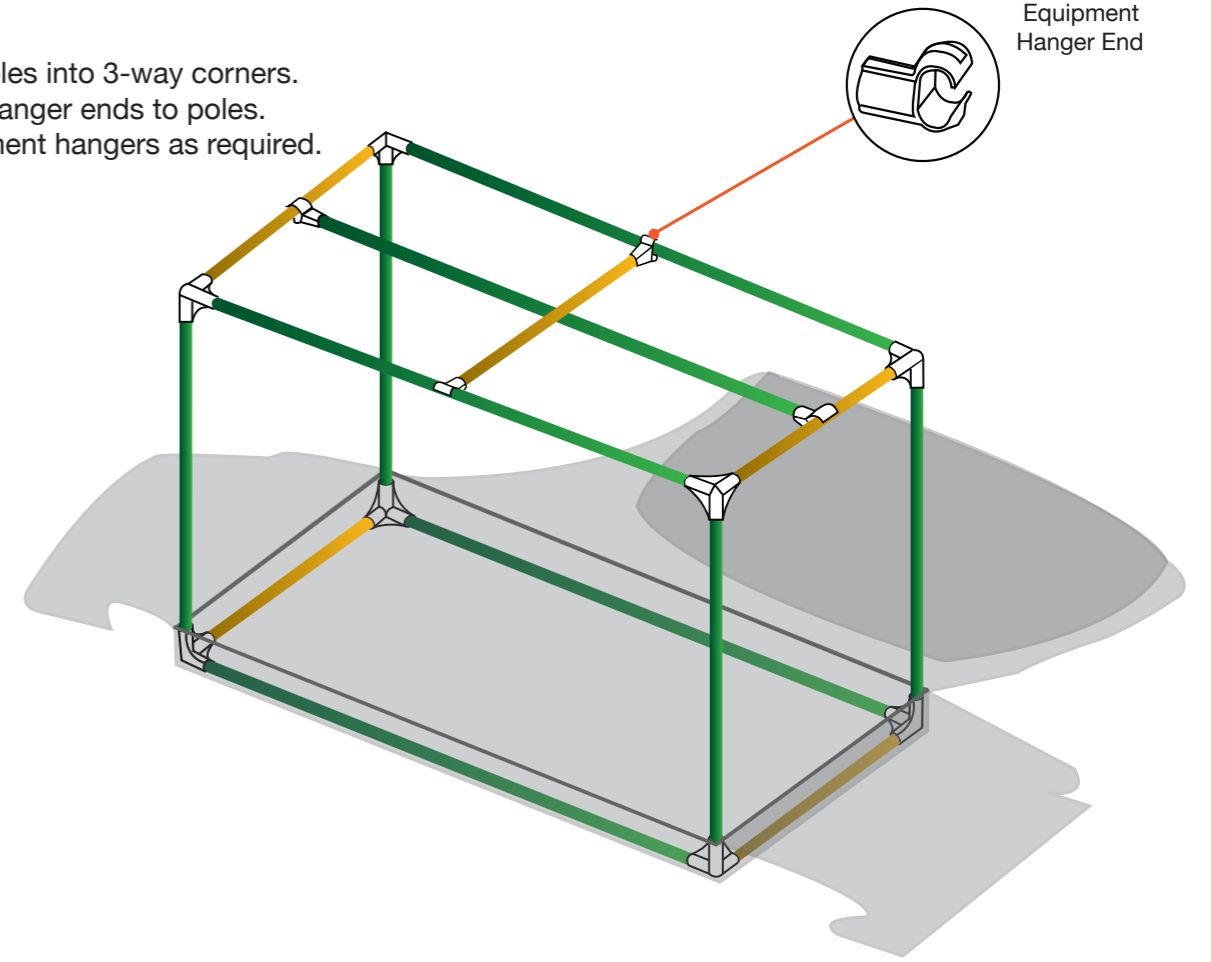
**Step 1**

Lay out base.  
Assemble floor poles and 3-way corners as shown.



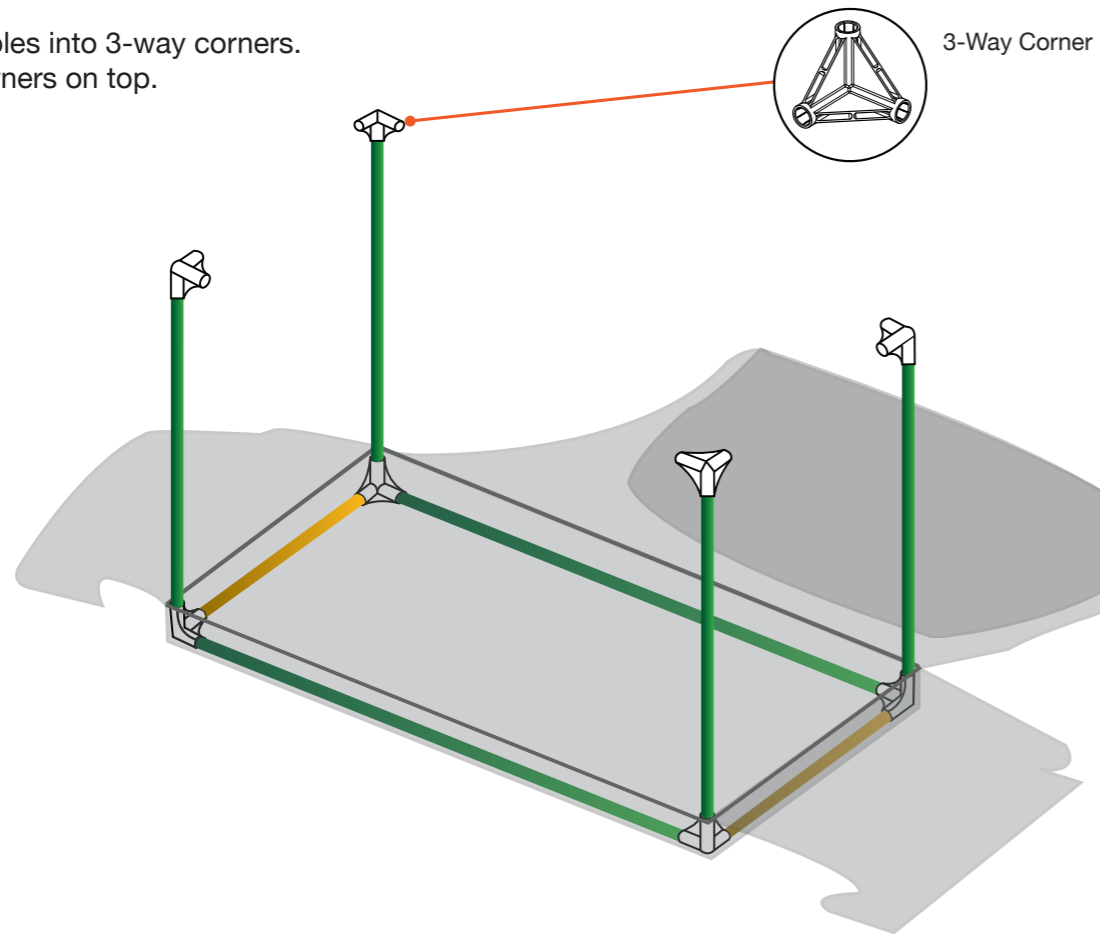
**Step 3**

Insert ceiling poles into 3-way corners.  
Fit equipment hanger ends to poles.  
Position equipment hangers as required.



**Step 2**

Insert wall poles into 3-way corners.  
Fit 3-way corners on top.



**Step 4**

Fit left side of tent over frame as shown.

