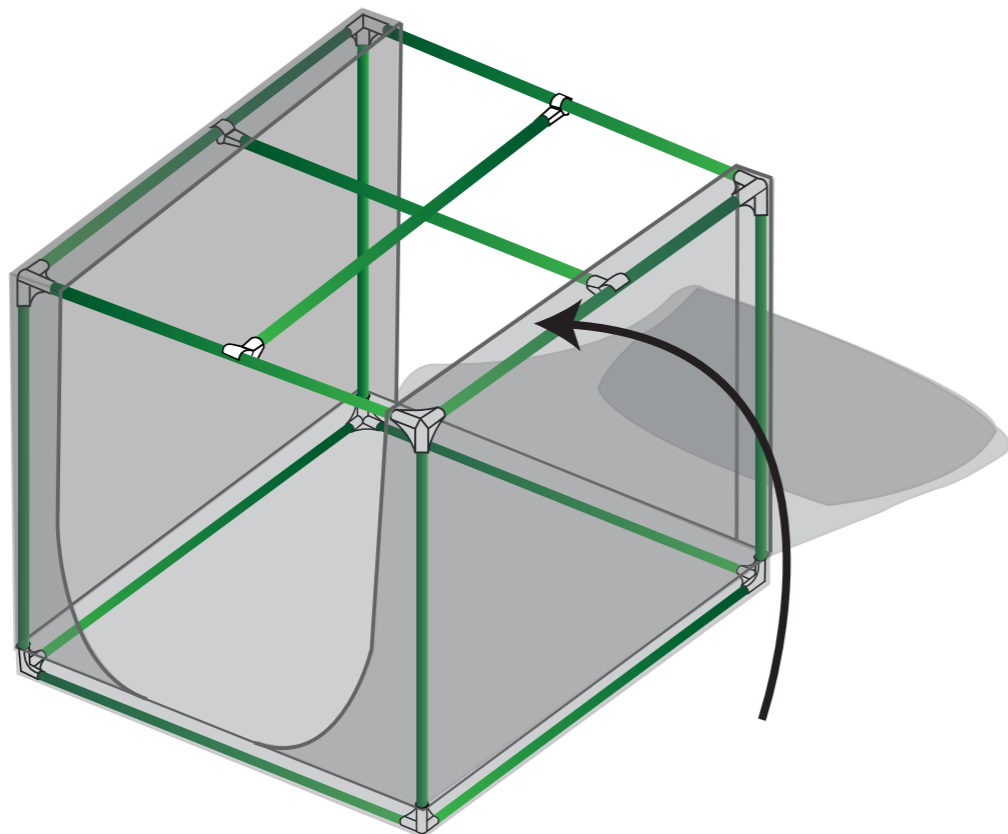


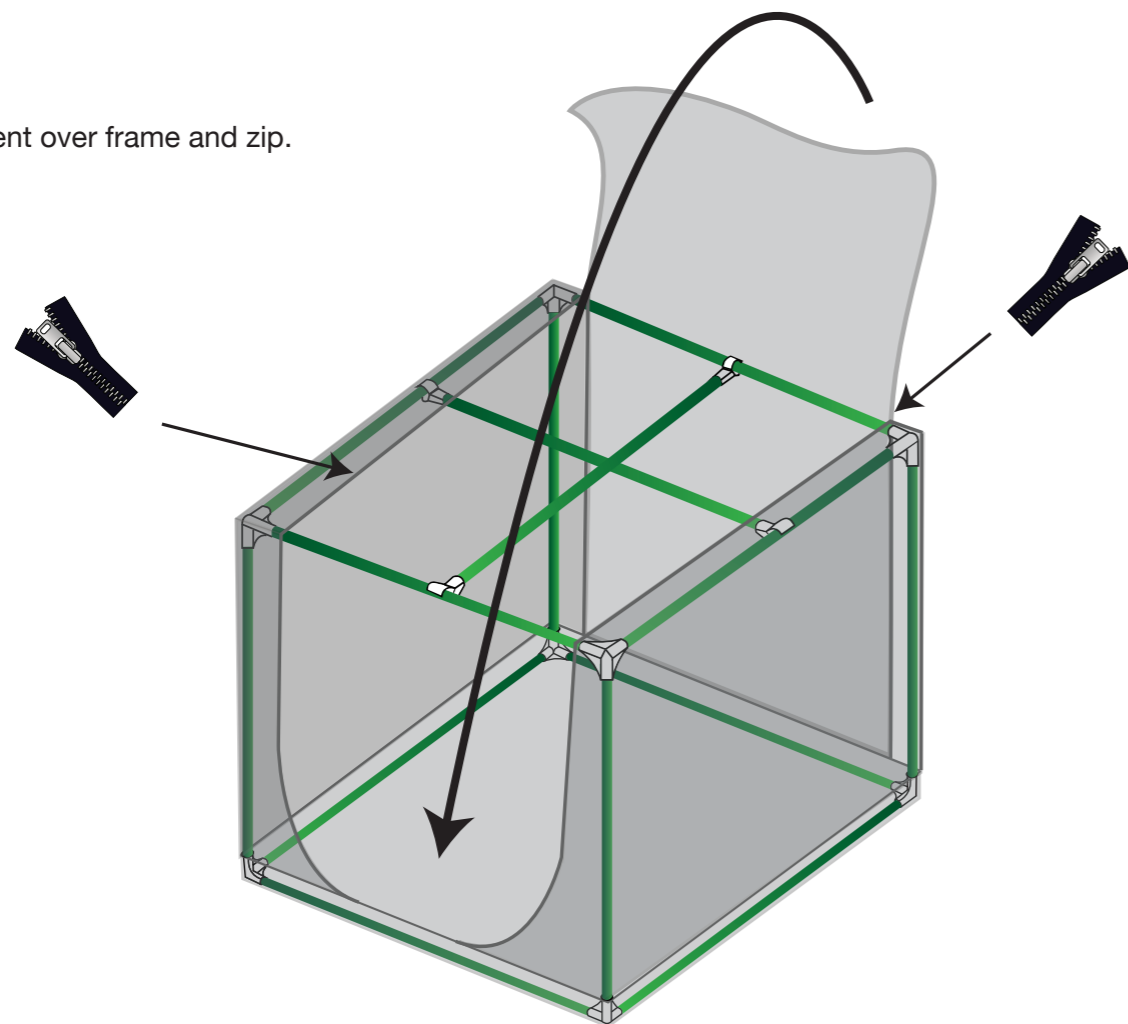
**Step 5**

Fit right side of tent over frame as shown.



**Step 6**

Pull back of tent over frame and zip.

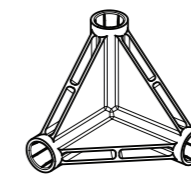


**EZCL-64-TNT-1**

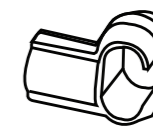
**Parts List**



Green Pole  
x14



3-Way  
Corner  
x8



Equipment  
Hanger Ends  
x4

Equipment Hangers

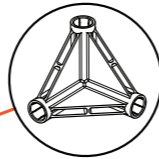


Lower Equipment Hanger

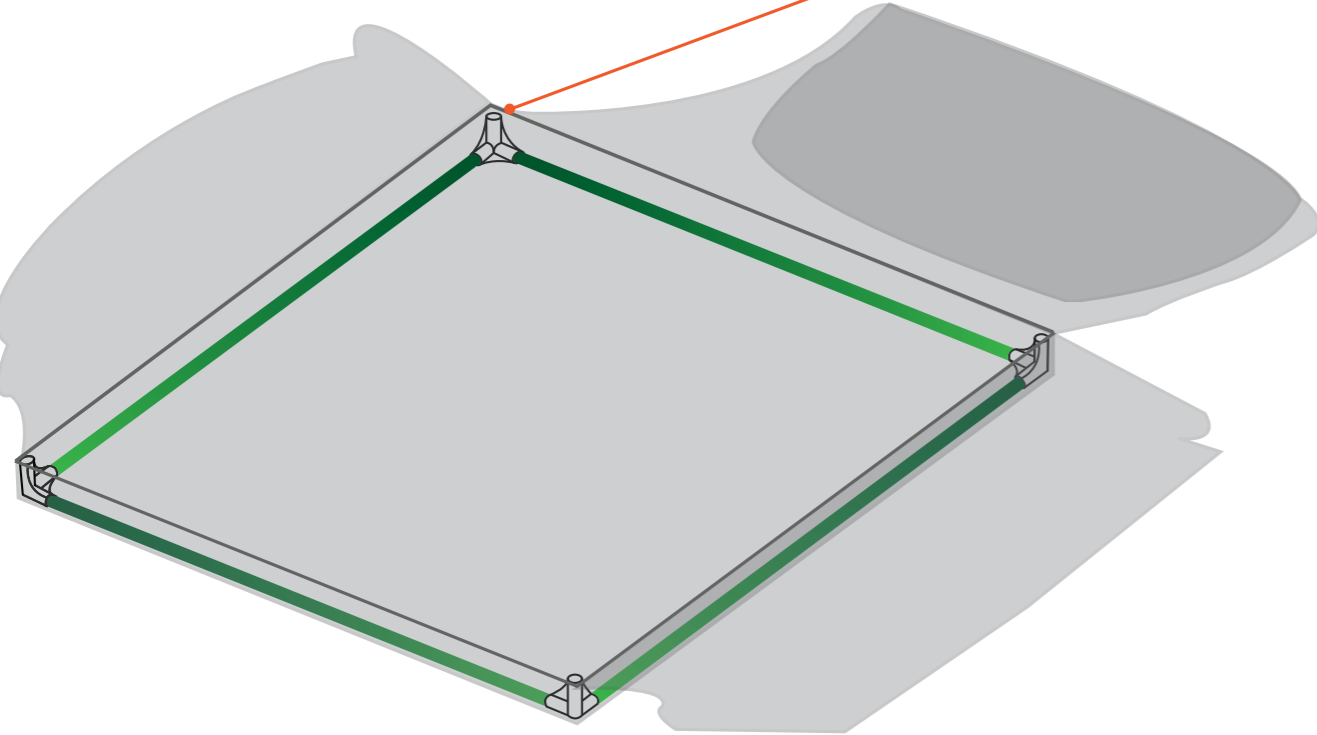
Upper Equipment Hanger

**Step 1**

Lay out base.  
Assemble floor poles and 3-way corners as shown.

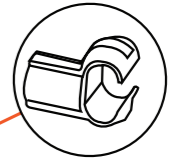


3-Way Corner

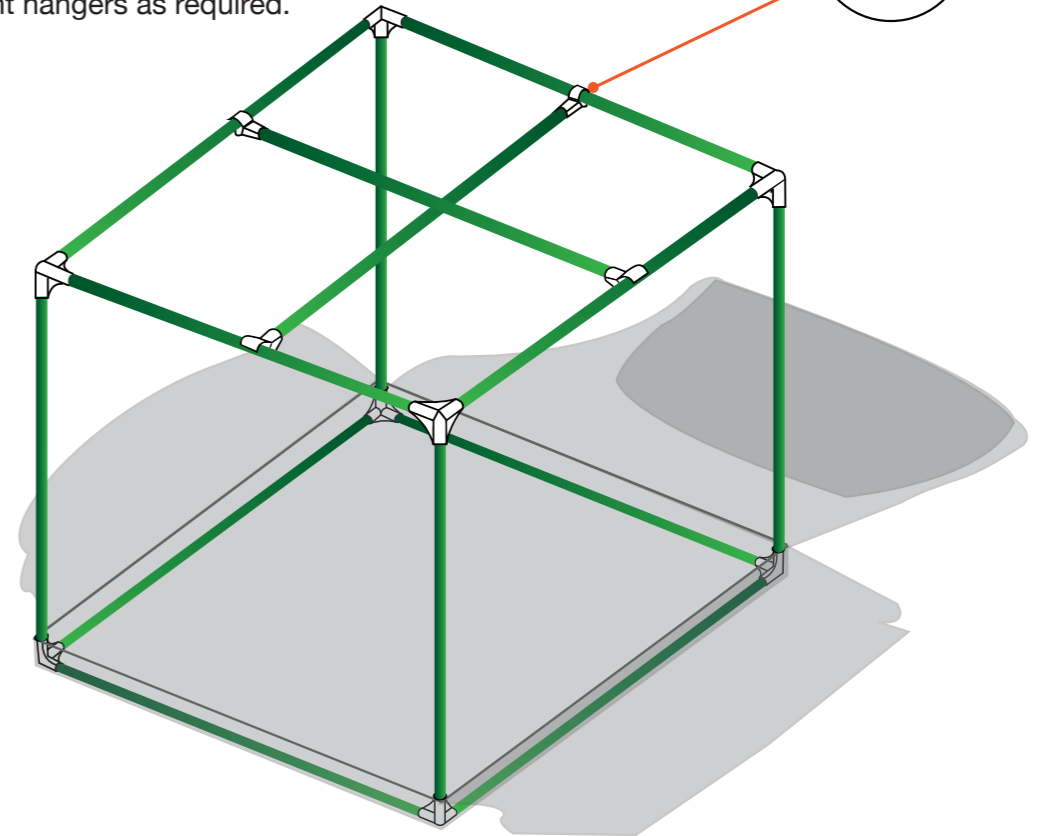


**Step 3**

Insert ceiling poles into 3-way corners.  
Fit equipment hanger ends to poles.  
Position equipment hangers as required.

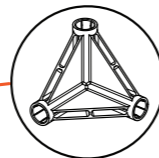


Equipment Hanger End

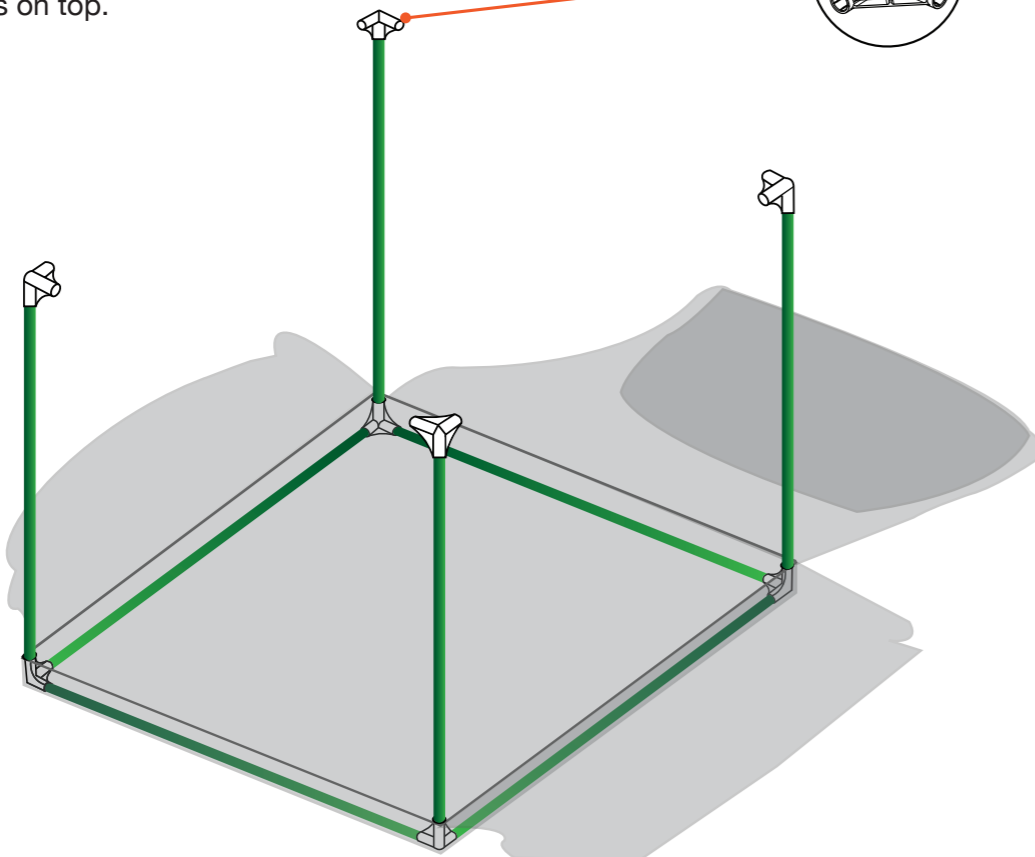


**Step 2**

Insert wall poles into 3-way corners.  
Fit 3-way corners on top.



3-Way Corner



**Step 4**

Fit left side of tent over frame as shown.

